

- TITAN LX SUPREME regulator -

Features

First stage : In-line balanced diaphragm mechanism

Maximum service pressure : 300 bar DIN version ; 232 bar yoke version
4 outlets MP 3/8 UNF
1 outlet HP 7/16 UNF
Medium Pressure : 8.5 bar \pm 0.5 bar

Flow rate : 1400 l/min with HP = 200 bar

Body made of brass with satin chrome
Removable crown, spring : stainless steel
Conical filter : bronze with nickel coating
O-ring : EPDM



2nd stage : pneumatically balanced second stage

Cracking effort : between 3.3 to 4.3 mbar
Venturi effect tuning
Box bottom : made of A.B.S
Cover : Polyurethane
Mouthpiece, exhaust valve, seat, diaphragm and lip shield : silicone
Adjustable crown : made of brass with chrome



MP hose : Length : 730 \pm 5 mm

Yoke Titan weight : 1191 g
DIN HP weight : 700 g

DIN Titan weight : 1035 g
2nd stage weight : 175 g

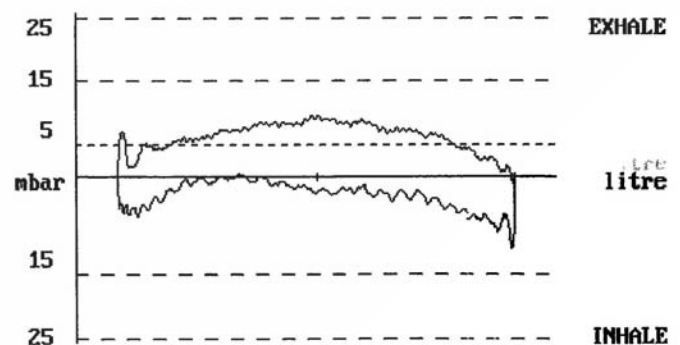
Yoke HP weight : 856 g

Certification : EN250 :2000 regulator for cold water.

Nitrox Compatibility : 40 % O₂ max. with yoke or Din version , 100 % O₂ with EN 144-3 version.

Breathing Performance :

Work of breathing (average) **W = 0.9 J/litre** at :
RMV : 62.5 l/min, Depth : 50 m, HP = 50 bar.



Products & kits references :

Yoke Titan LX Supreme : 129370
DIN Titan LX Supreme : 129360
Nitrox EN 144-3 Titan : 129400
Yoke Titan D first stage : 103191
DIN Titan D first stage : 103161
Titan LX Supreme second stage : 129330
MP hose : 124567

Service Kit Din / yoke first stage : 128002
Service Kit second stage : 129007
Service Kit Nitrox EN 144-3 Titan : 213660
Service Kit Titan (1st & 2nd) : 128042
Conversion Kit yoke / Din : 128012

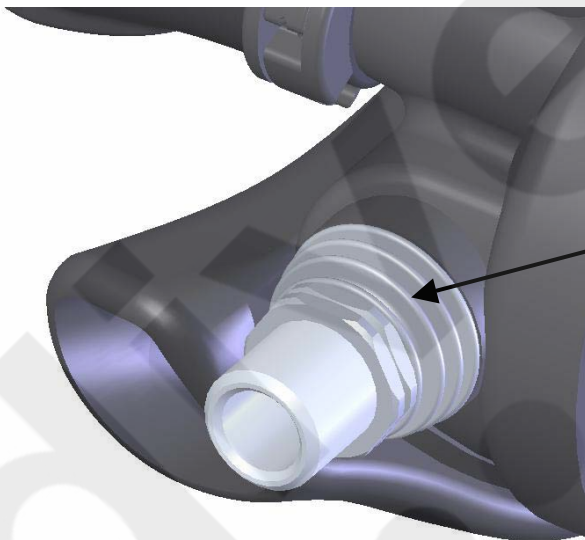
Comfo-bite mouthpiece (patent) fix with a removable clamp :

- Reduces the tiredness of the jawbones muscles,
- Quick change for disinfection operations.

Cover in Polyurethane :

- High resistance to abrasion and to tear
- Impact protection of the second stage
- Easy purge of the regulator

Versatile design allows a good gripping of the second stage



Heat exchangers :

Allows the evacuation of the negative kilocalories due to the air expansion (patent)

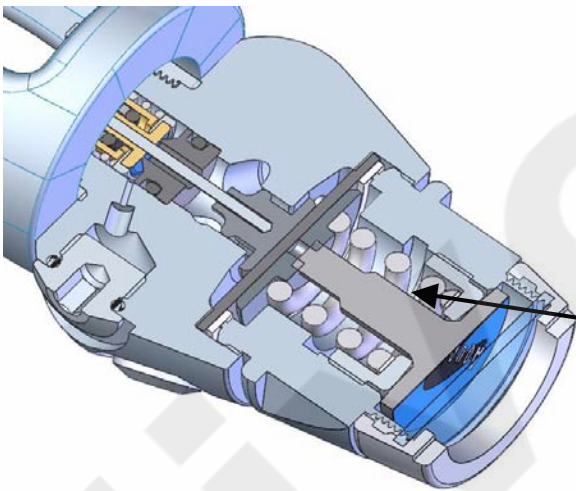
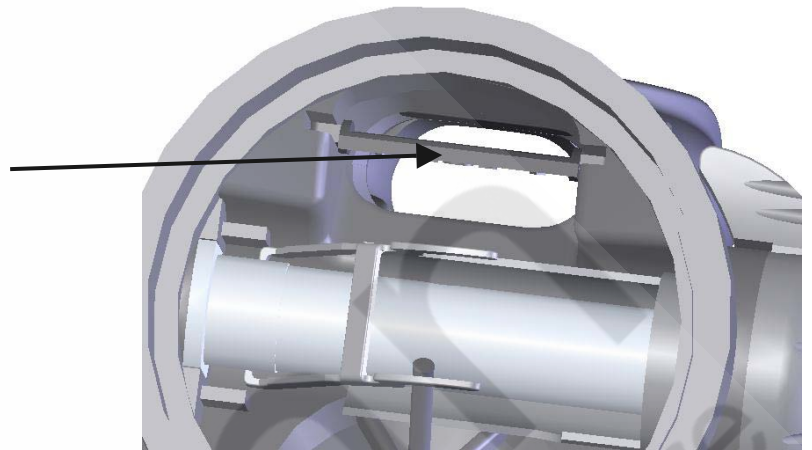
Venturi Adjustment Switch V.A.S. :

Reduces the sensitivity to free flow on the surface and provide maximum gas flow at depth.



Flow deflector in the inhale pipe :

Air flow evenly lead during inhalation.



Dry Chamber :

- Resistance to freezing improved,
- Maintains the internal components clean and dry.



MP and HP outlets perfectly positioned allow an ideal orientation of the hoses.